



PVP30kW

The single inverter solution for small commercial installations



PV Powered commercial inverters combine the benefits of high reliability, low lifetime cost and leading efficiency into one easy-to-install system. Their cutting edge design features the latest advances in power technology including an intelligent power module that uses fifth generation, self-protecting IGBT silicon, the most efficient and reliable silicon technology available. System reliability is ensured by superior quality components including an integrated 98%-efficient Energy Star-rated transformer with field-configurable AC voltage output; acid-free, long-life, film-type capacitors; and a medical-grade DC power supply that provides clean, reliable power to system control components.

The PVP30kW is designed for trouble-free installation with UL approved, load break rated AC and DC disconnects. The modular design enables rapid field service and field upgrades. With corrosion-resistant, aluminum construction and at half the size and weight of comparable products, it can quickly and easily be installed in your preferred location, indoors or out.

FEATURES

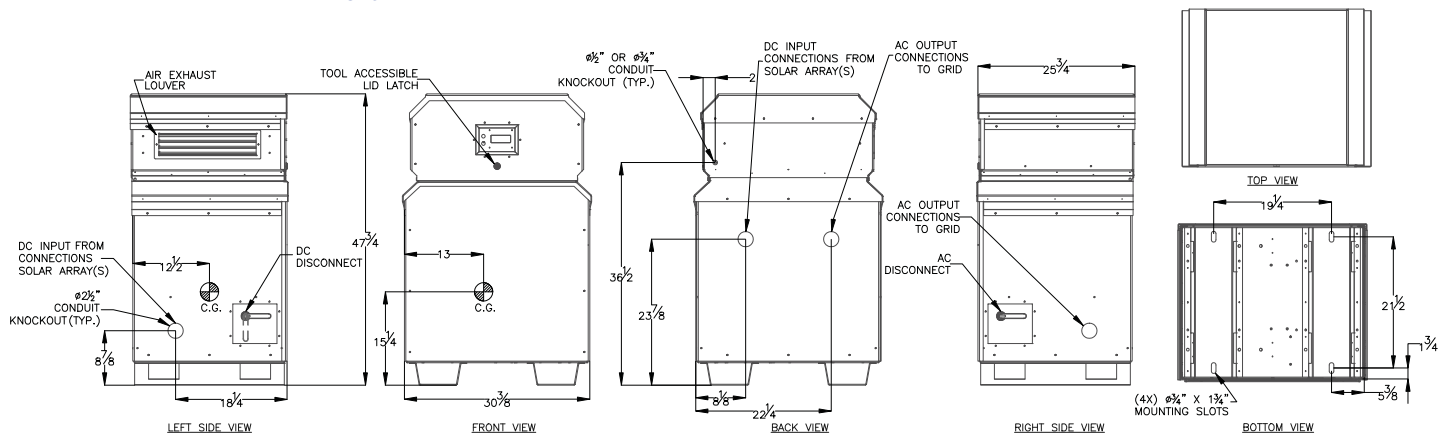
- **Best-in-class efficiency**
- **295-600 VDC operating range**
- **Field-proven design with an exceptionally low part count**
- **Nationwide 10-year warranty standard**
- **Field-configurable 208V or 480V AC output**
- **AC auto-phasing simplifies installation**
- **Automatic night disconnect minimizes tare losses**
- **Soft start circuit eliminates a leading source of nuisance faults**
- **Innovative active cooling with sealed electronics keeps critical components cool and clean, maximizing life**
- **UL approved, neutral free installation saves time and money**
- **Web-based monitoring of critical system parameters standard**

150 SW Scalehouse Loop
Bend OR 97702

1-541-312-3832
WWW.PVPOWERED.COM

DIMENSIONS

30 kW



POWER CHARACTERISTICS

MODEL	PVP30kW
Continuous Output Power (kW)	30
Weighted CEC Efficiency (%)	
208	93.0
480	93.5
Maximum DC Input Voltage (VOC)	600
DC Peak Power Tracking Range (V)	295 - 500
DC Imp Nominal Current (A)	109
AC Nominal Voltage-Field Configurable (V)	208 and 480
AC Operating Range (V)	
208	183 - 228
480	422 - 528
AC Frequency Range (Hz)	59.3 - 60.5
AC Maximum Continuous Current (A)	83 (208V), 36 (480V)
Standby Losses (W)	17
Harmonic Distortion (%THD)	<3%
Power Factor	>.99

MECHANICAL SPECIFICATIONS

MODEL	PVP30kW
Enclosure	NEMA 3R
Construction	Aluminum
Mounting	Pad Mount
Weight (lbs)	760
Cooling	Forced Convection
Temperature Range (°C)	-25 to 45
Isolation Transformer	Yes
Agency Approvals	UL 1741, IEEE 1547 Compliant, FCC Class A & B

