



PVP-30kW-LV

The single inverter solution for small commercial installations



PV Powered commercial inverters combine the benefits of high reliability, low lifetime cost and leading efficiency into one easy-to-install system. Their cutting edge design features the latest advances in power technology including an intelligent power module that uses fifth generation, self-protecting IGBT silicon, the most efficient and reliable silicon technology available. System reliability is ensured by superior quality components including an integrated 98%-efficient Energy Star-rated transformer with field-configurable AC voltage output; acid-free, long-life, film-type capacitors; and a medical-grade DC power supply that provides clean, reliable power to system control components.

The PVP-30kW-LV is designed for trouble-free installation with load break rated AC and DC disconnects. The modular design enables rapid field service and field upgrades. With corrosion-resistant, aluminum construction and at half the size and weight of comparable products, it can quickly and easily be installed in your preferred location, indoors or out.

Performance Monitoring



Performance monitoring solutions are available on all PV Powered inverters and include low cost, secure web-based access to PV system status and performance history.

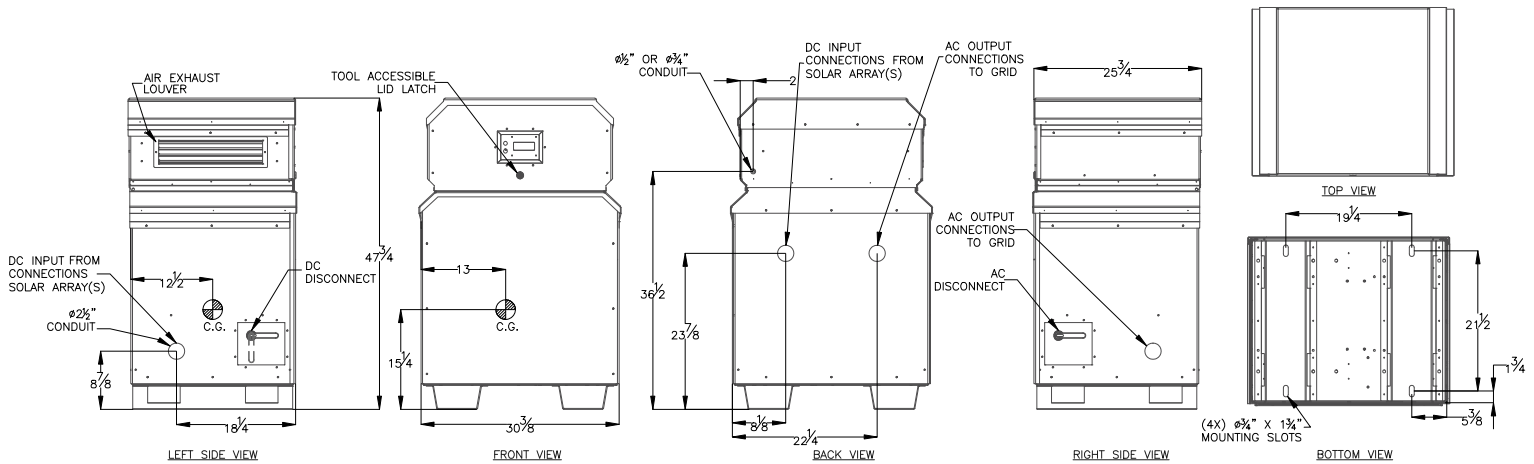
FEATURES

- **295-600 VDC operating range**
- **Field-proven design with an exceptionally low part count**
- **Nationwide 10-year warranty standard, 20-year warranty optional**
- **Field-configurable 208V or 480V AC output**
- **AC auto-phasing simplifies installation**
- **Automatic night disconnect minimizes tare losses**
- **Soft start circuit eliminates a leading source of nuisance faults**
- **Innovative active cooling with sealed electronics keeps critical components cool and clean, maximizing life**
- **Neutral free installation saves time and money**
- **Web-based monitoring of critical system parameters standard**

150 SW Scalehouse Loop
Bend OR 97702

1-541-312-3832
WWW.PVPOWERED.COM

DIMENSIONS PVP-30kW-LV



POWER CHARACTERISTICS

MODEL	PVP-30kW-LV
Continuous Output Power (kW)	30
Weighted CEC Efficiency (%)	
208	93.0
480	93.5
Maximum DC Input Voltage (VOC)	600
DC Peak Power Tracking Range (V)	295 - 500
DC Imp Nominal Current (A)	109
AC Nominal Voltage-Field Configurable (V)	208 and 480
AC Operating Range (V)	
208	183 - 228
480	422 - 528
AC Frequency Range (Hz)	59.3 - 60.5
AC Maximum Continuous Current (A)	83 (208V), 36 (480V)
Standby Losses (W)	17
Harmonic Distortion (%THD)	<3%
Power Factor	>.99

MECHANICAL SPECIFICATIONS

MODEL	PVP-30kW-LV
Enclosure	NEMA 3R
Construction	Aluminum
Mounting	Pad Mount
Weight (lbs)	760
Cooling	Forced Convection
Temperature Range (°C)	-25 to 45
Isolation Transformer	Yes
Standards Approvals	UL 1741, IEEE 1547 Compliant
Electromagnetic Interference	FCC Class A for conducted, FCC Class B for radiated

